

# HILLENG



INTERNATIONAL

## EPS LOADER



The EPS Loader moves sheets of Expanded Polystyrene (EPS) onto the Main Press of the Hilleng Continuous Insulating Panel Laminating System. This process is automatic and only requires an operator to load the EPS sheets into the Loader's magazine using a forklift. The EPS sheets are pneumatically aligned to a datum point, milled with finger joint end profiles, and fed into the Main Press.

### KEY FEATURES OF THE HILLENG EPS LOADER...

- Convenient forklift loading
- Automatic sheet feeding and positioning
- Trimmers, extraction system, and end milling units activate automatically
- Incremental thickness 50 mm to 300 mm
- Low stack warning alerts operator to reload the magazine

Consult your Hilleng representative for the EPS Loader configuration suited to your requirements.

**BRADBURY GROUP**  
*Australia*



**Hilleng International**

**Bradbury Group  
Australia Pty Ltd**

25 Eurora Street  
Kingston, QLD 4114  
AUSTRALIA

Tel: +61 7 3299 3111

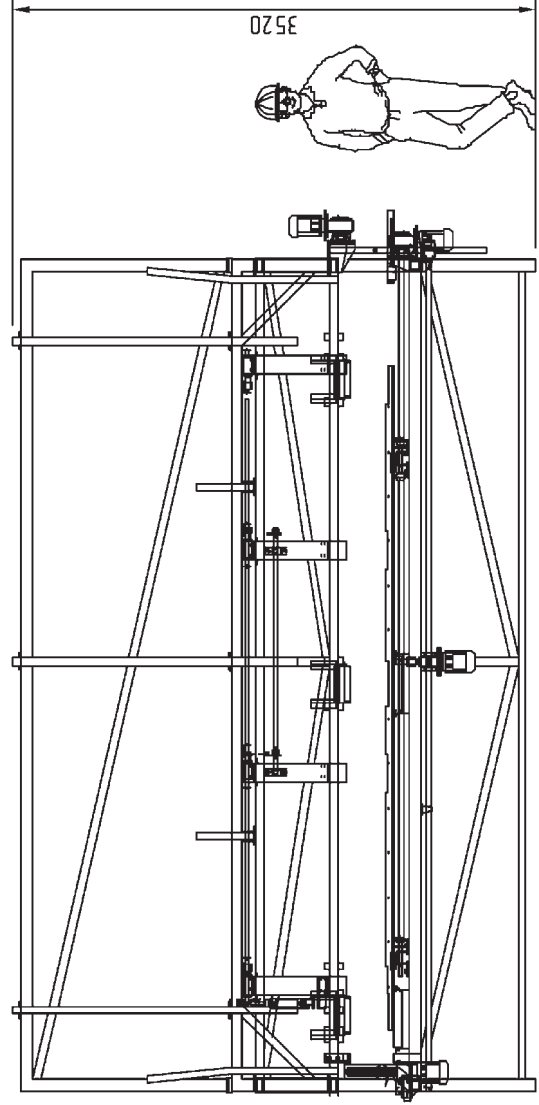
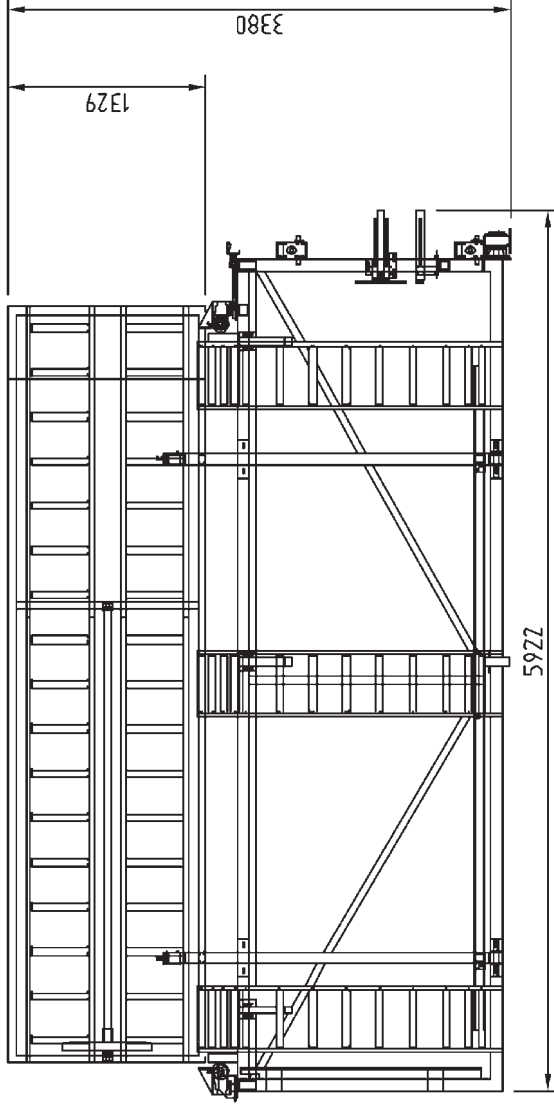
Fax: +61 7 3299 5511

mail@hilleng.com.au

[www.hilleng.com.au](http://www.hilleng.com.au)

# HILLENG

# EPS LOADER



Bradbury Group Australia Pty Ltd

